



INSTALLATION INSTRUCTIONS

Accessory
CARGO COVER

Application
2015 FIT

Publications No.
All 51309
Issue Date
APRIL 2014

PARTS LIST

Cargo cover
Part # 84400-T5R-C01ZA

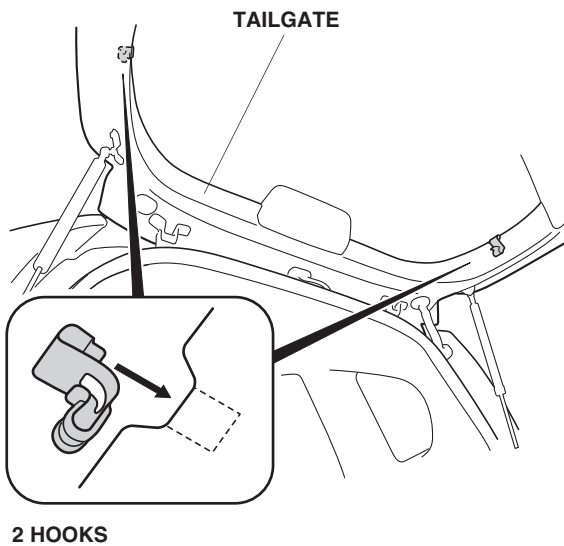


2 Hooks
Part # 84405-SF4-003

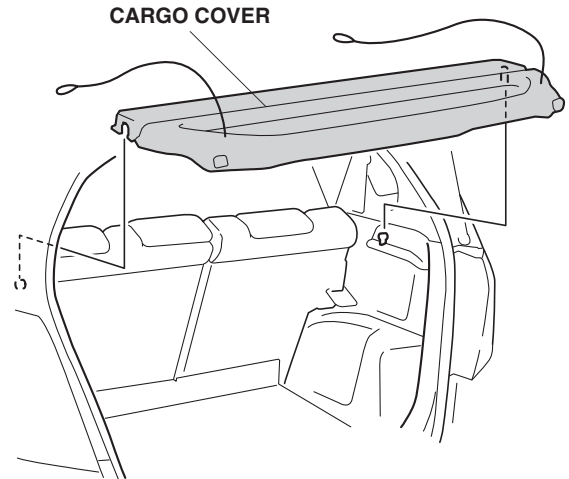


INSTALLATION

1. Install the two hooks on the inside of the tailgate frame.



2. Install the cargo cover in the cargo area.



3. Slide the cords over the hooks on the tailgate.

